

NI-22 / NI-25

Askeboks / Ash Box / Popielnik

FIG 1

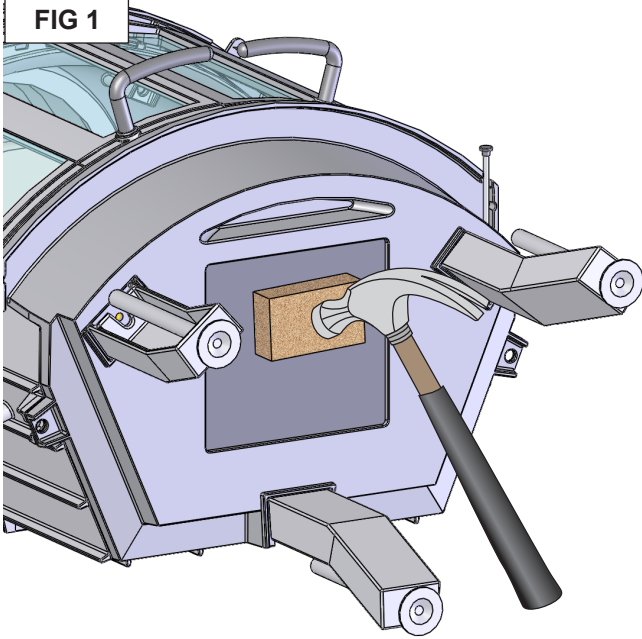


FIG 2

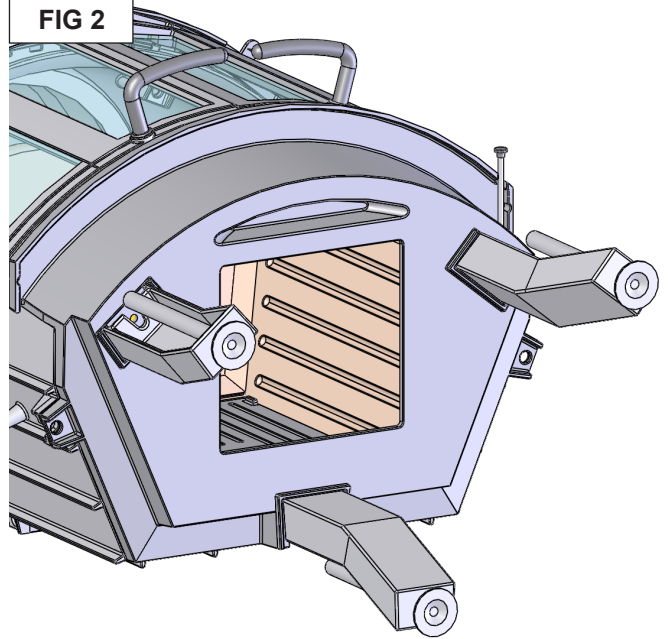


FIG 3

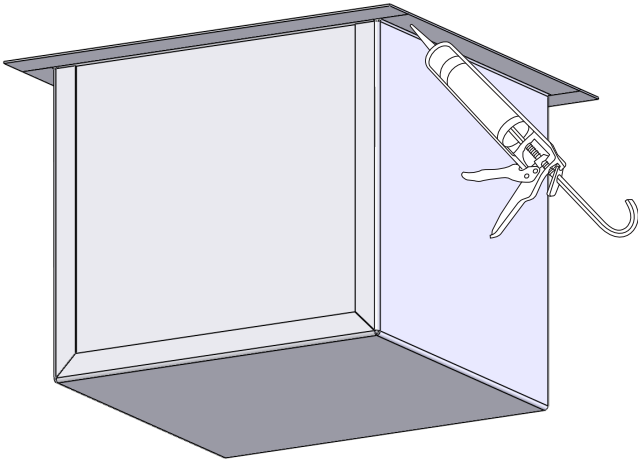


FIG 4

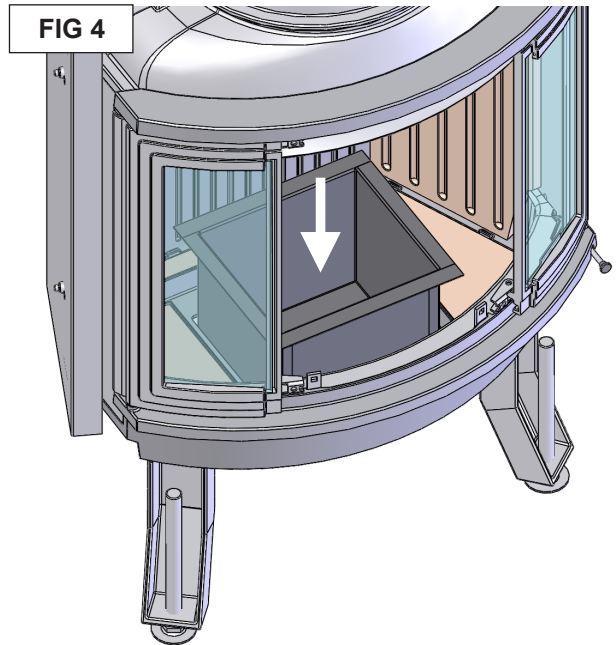


FIG 5

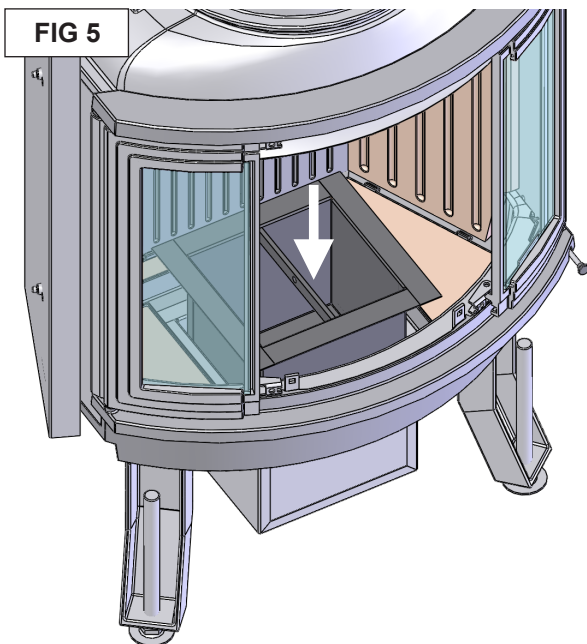


FIG 6

